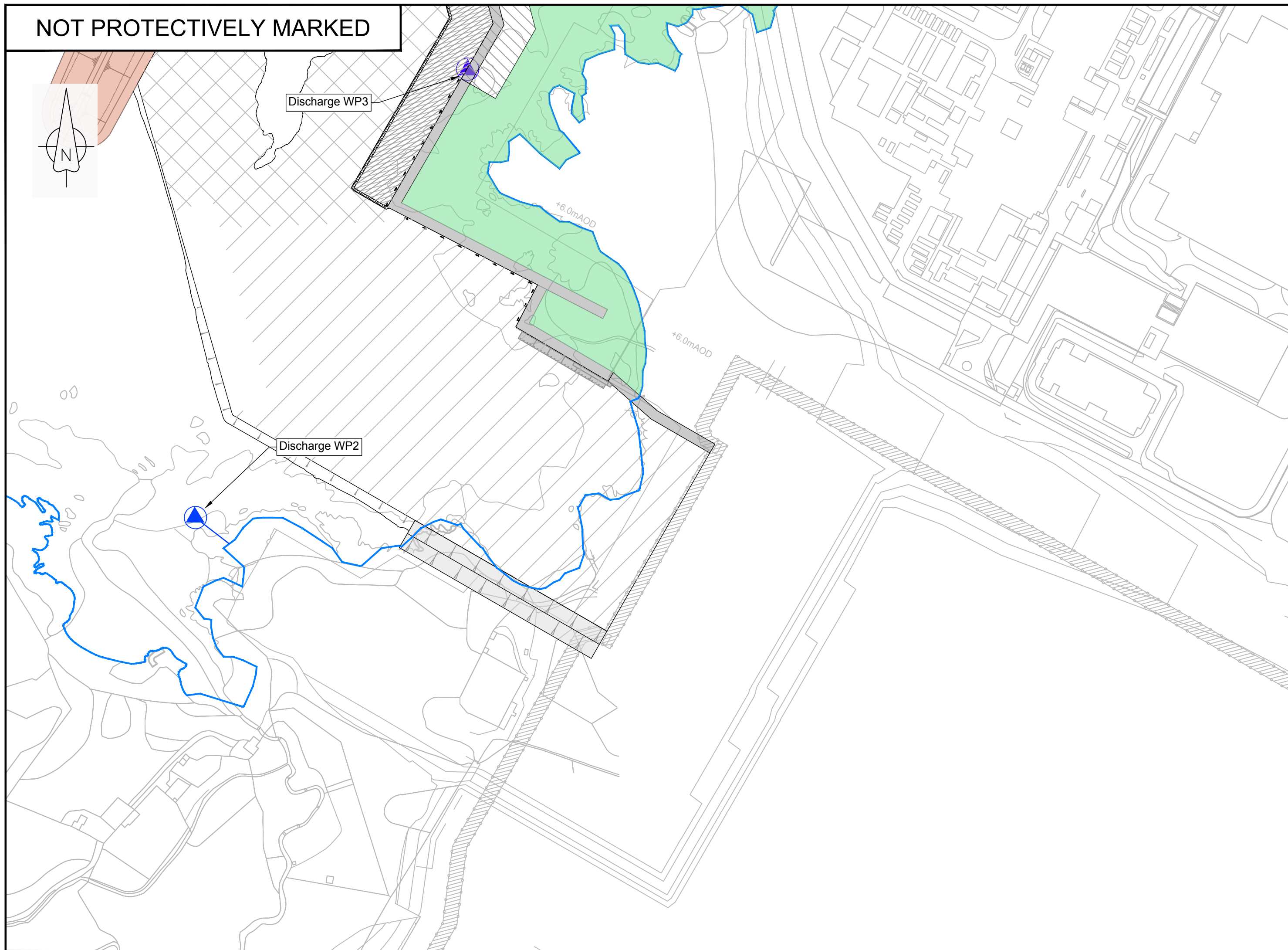
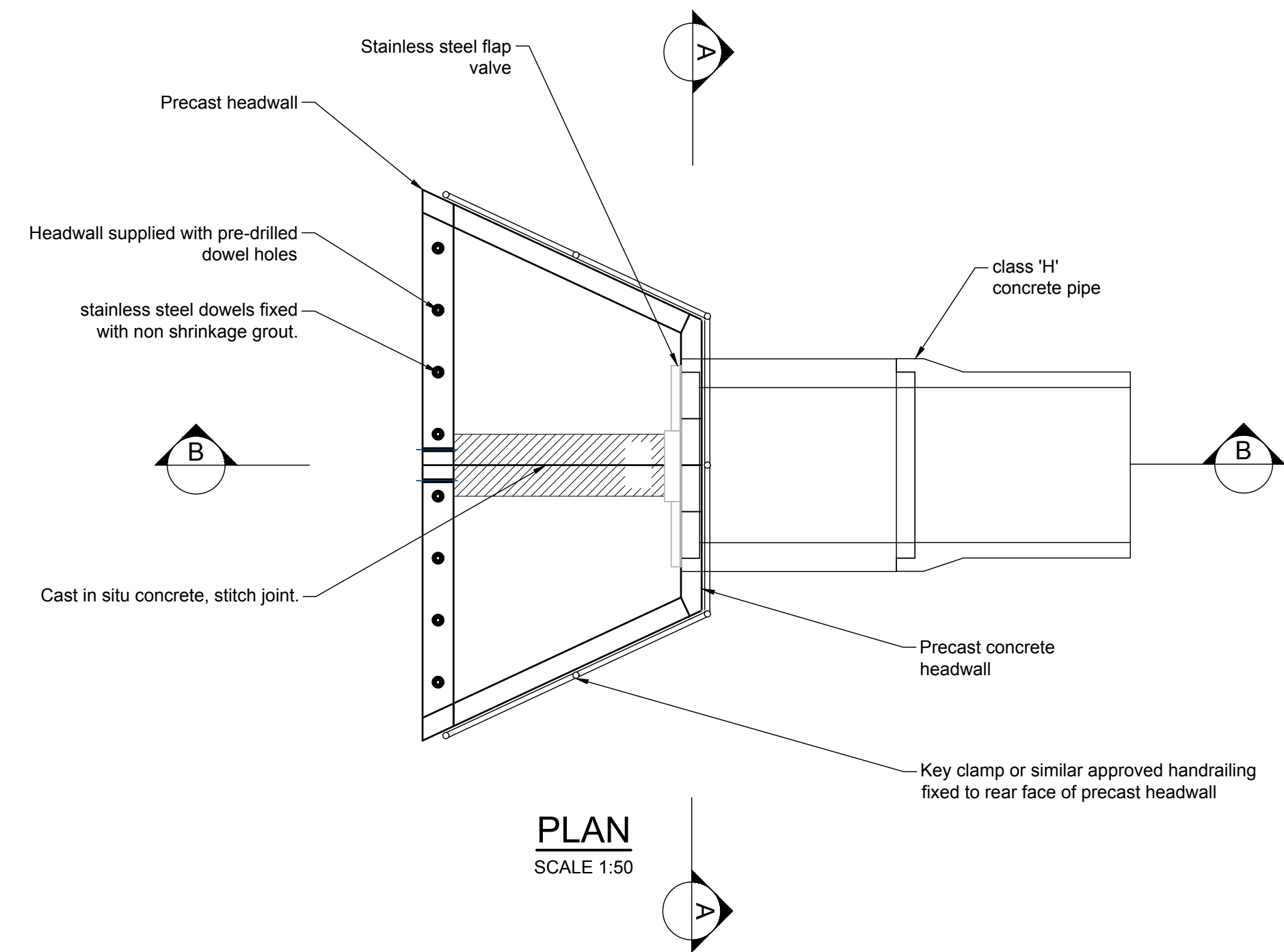
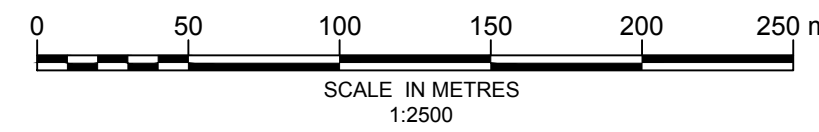


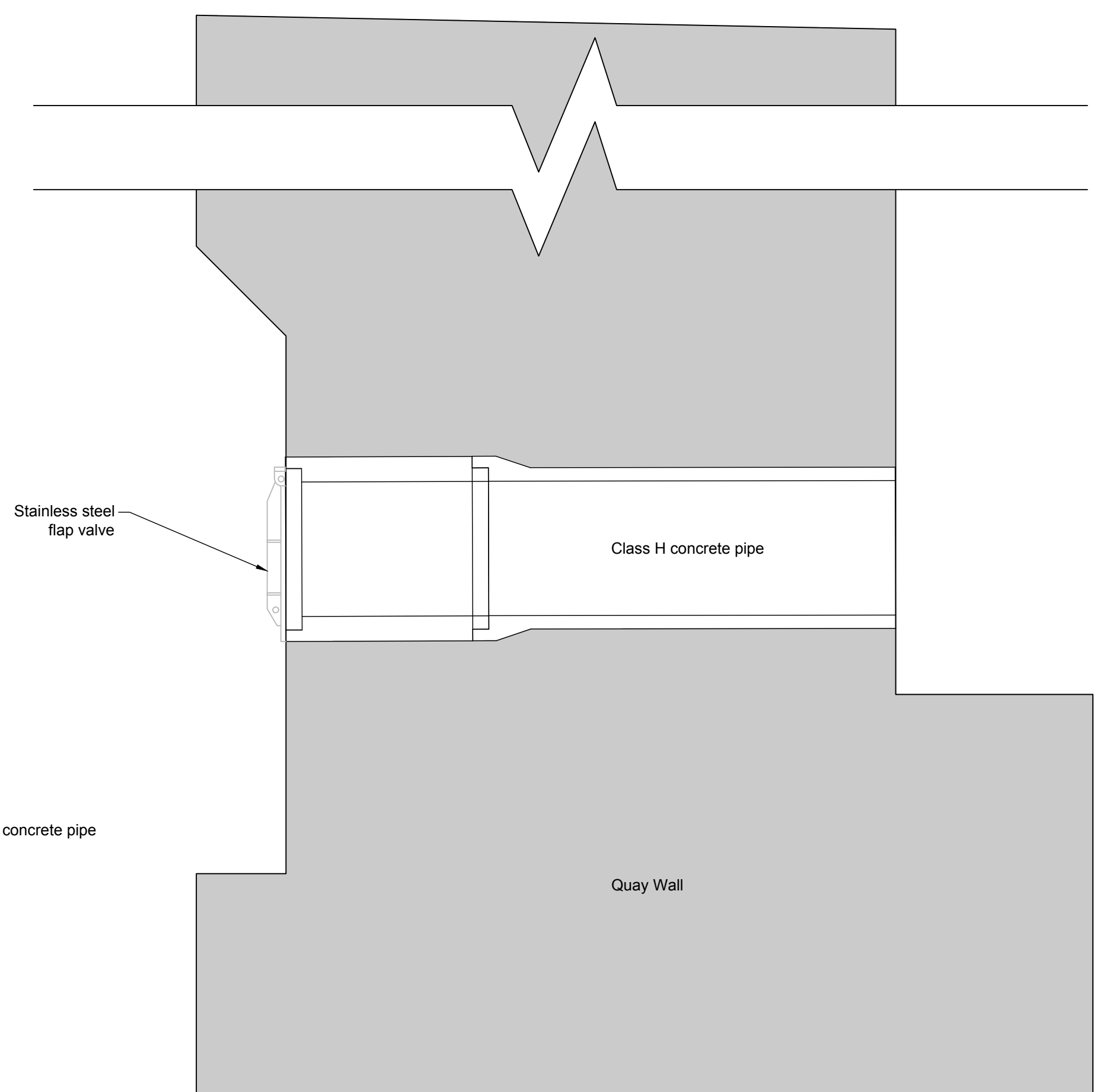
NOT PROTECTIVELY MARKED



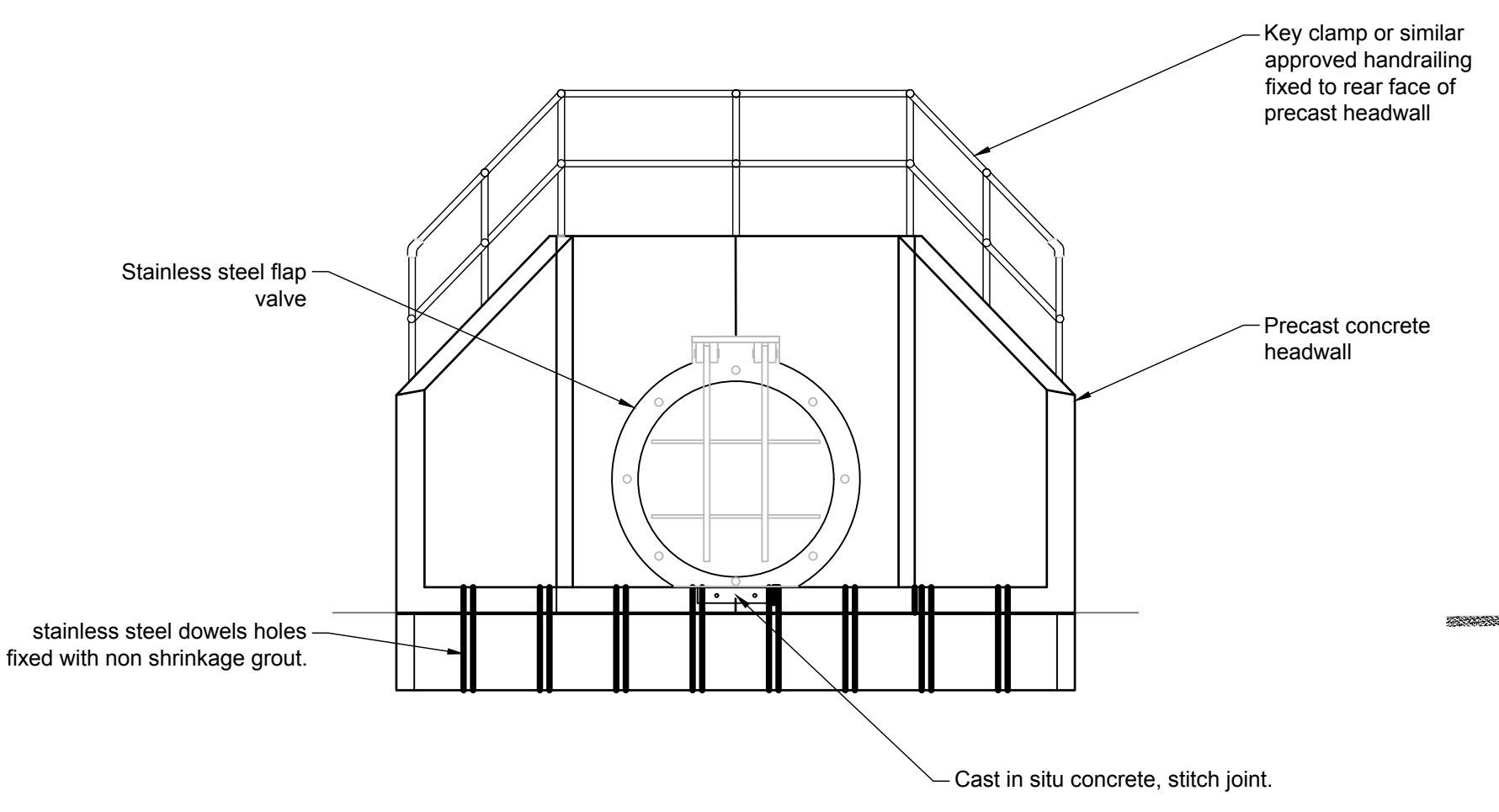
PLAN  
1:2500



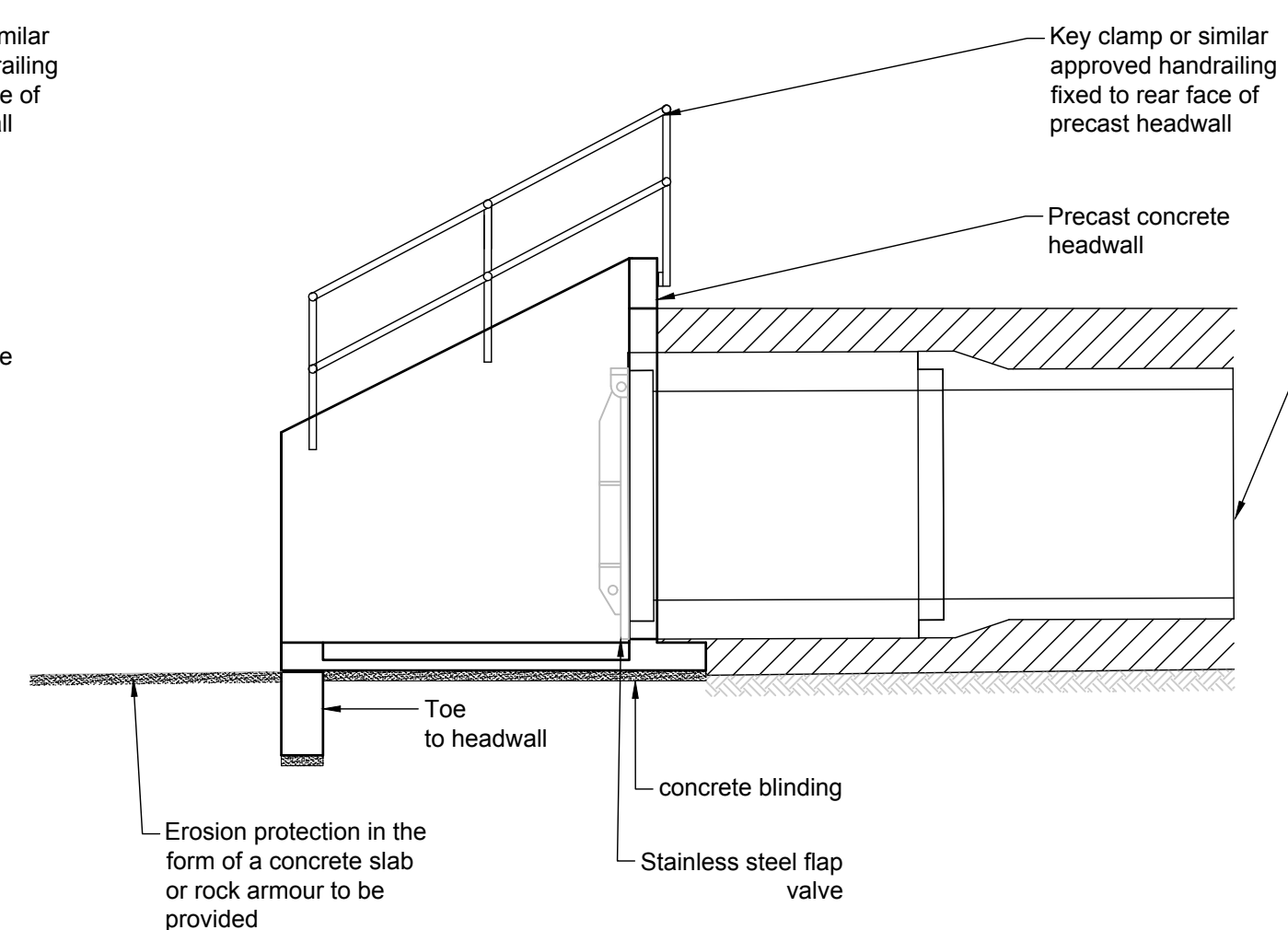
PLAN  
SCALE 1:50



Quay Wall Outfall Option  
1:50



A SECTION A-A  
1:50



B SECTION B-B  
1:50

Revetment Outfall Option

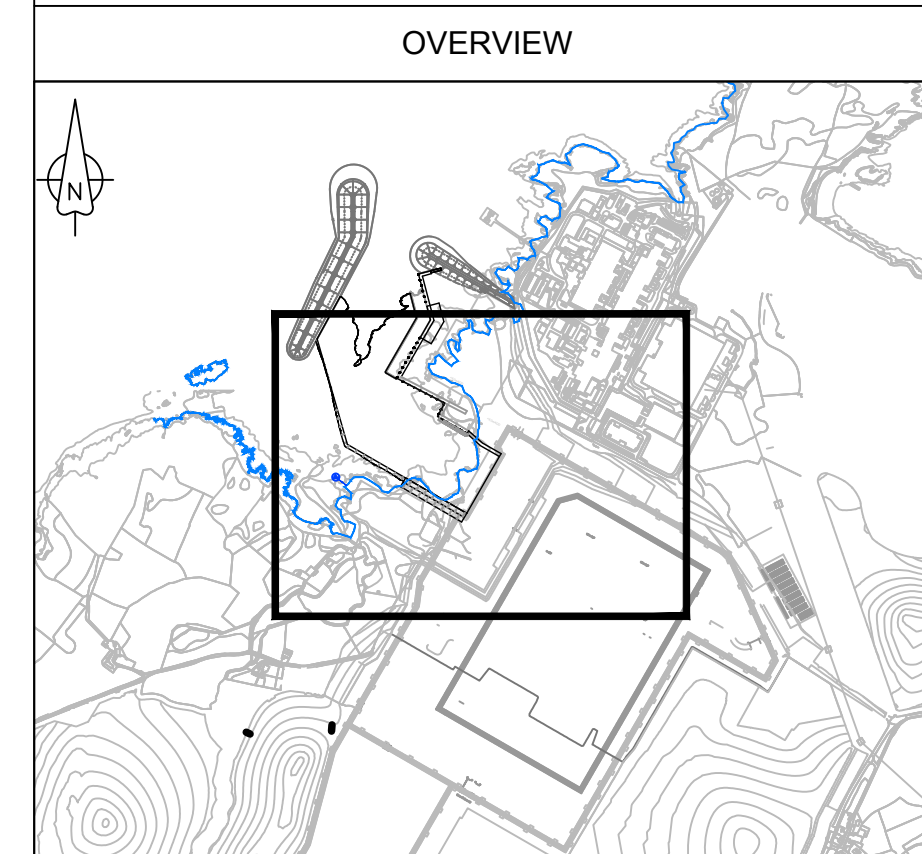
GENERAL LEGEND

SEA WATER	RECLAIMED GROUND	BREAKWATER / ROCK	GRAVEL	REVTMENT SLOPE	CONCRETE / STEEL	SEA BED / GROUND	MEAN HIGH WATER SPRINGS	CONSTRUCTION ENVELOPE
-----------	------------------	-------------------	--------	----------------	------------------	------------------	-------------------------	-----------------------

- NOTES
- ALL DIMENSIONS IN METRES UNLESS OTHERWISE STATED.
  - TYPICAL SEA OUTFALL DETAILS FOR OUTFALLS WP2 AND WP3.
  - LOCATION AND LEVEL OF OUTFALLS WP2 AND WP3 TO BE CONFIRMED AT DETAIL DESIGN STAGE.
  - ALL DIMENSIONS ARE INDICATIVE ONLY.

KEY

OUTFALL TO SEA



KEY PLAN  
(NOT TO SCALE)

2.0	MARCH 2016	MARINE LICENCE SUBMISSION		HNPWL	HNPWL	HNPWL
Rev	Rev. Date	Purpose of revision		Drawn	Checked	Approved

**HORIZON**  
NUCLEAR POWER

Sunrise House, 1420 Charlton Court, Gloucester Business Park, Gloucester, GL3 4AE, UK  
Freephone: 0845 300 6816 Email: info@horizonnuclearpower.com

Project  
**WYLFA NEWYDD  
MARINE LICENCE**

Drawing Title  
**SURFACE WATER  
DRAINAGE OUTFALLS**

Security Status  
**NOT PROTECTIVELY MARKED**

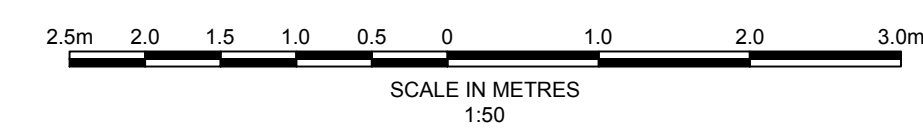
Scale  
As Shown @A1 Sheet(s) 1 of 1

Drawing Number  
**WN0907-HZCON-LAP-DRG-00011**

Rev  
**2.0**

Reproduced from Ordnance Survey mapping with the permission of the Controller of Her Majesty's Stationary Office  
© Crown copyright. Unauthorised reproduction infringes Crown copyright and may lead to prosecution or civil proceedings. Ordnance Survey Licence number 100051118.

**OUTFALL HEADWALL DETAILS**  
SCALE 1:50



© Copyright Horizon Nuclear Power Wylfa Limited. Not to be reproduced (in full or part) without prior permission of Horizon Nuclear Power Wylfa Limited.